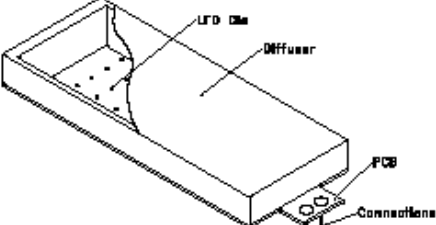
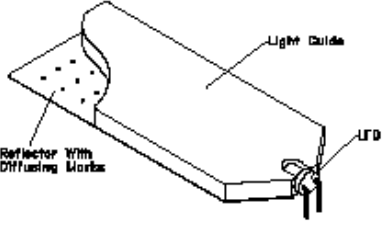
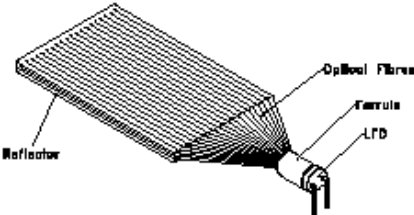
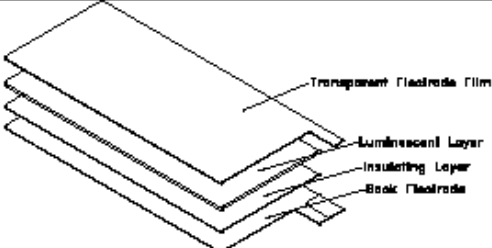
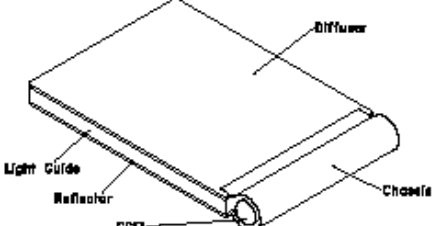


## LCD BACKLIGHTING

<p><b>LIGHT BOX</b></p> <ul style="list-style-type: none"> <li>- Low voltage</li> <li>- Long life</li> <li>- High brightness</li> </ul>	
<p><b>EDGE LIT</b></p> <ul style="list-style-type: none"> <li>- Low voltage</li> <li>- Low power</li> <li>- Thin</li> <li>- Long life</li> </ul>	
<p><b>FIBRE OPTIC</b></p> <ul style="list-style-type: none"> <li>- Low voltage</li> <li>- Low power</li> <li>- Thin</li> <li>- Uniform brightness</li> </ul>	
<p><b>EL</b></p> <ul style="list-style-type: none"> <li>- Uniform brightness</li> <li>- Thin</li> <li>- Low power</li> </ul>	
<p><b>CCFL</b></p> <ul style="list-style-type: none"> <li>- High brightness</li> <li>- Long life</li> <li>- Low heat generation</li> </ul>	

Electra House, 32 Southtown Road, Great Yarmouth, Norfolk, NR31 0DU

Tel: +44 (0)1493 602602 Fax: +44 (0)1493 665111

Email: [info@midascomponents.co.uk](mailto:info@midascomponents.co.uk)